

Mollis Bed Frame

Assembly Instruction - Please keep for future reference



20-40min



Dimensions:

Width :

L140 - 152cm

L160 - 172cm

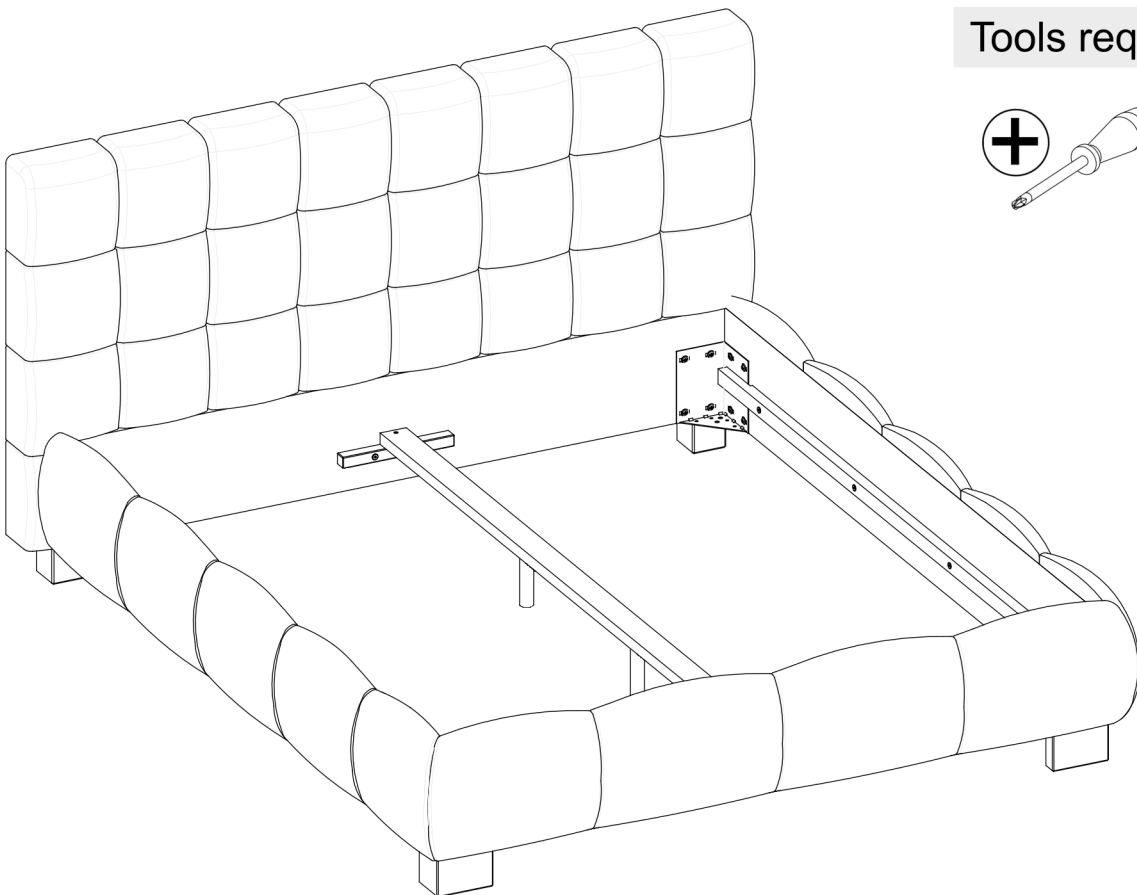
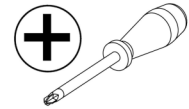
L180 - 192cm

L200 - 212cm

Length - 200cm

Height - 100cm

Tools required:



Important: Please read these instructions before assembly

If you need help or have damaged or missing parts,
email: kontakt@bedrenaetter.dk or call: +45 78 75 00 77

bedre nætter 



Safety and Care Advice

Important – Please read these instructions fully before starting assembly

Check you have all the components and tools listed on the front cover and page 3.

Remove all fittings from the plastic bags and separate them into their groups.

Keep children and animals away from the work area, small parts could choke if swallowed.

Make sure you have enough space to layout the parts before starting.

Do not stand or put weight on the product, this could cause damage.

Assemble the item as close to its final position (in the same room) as possible.

Do not place furniture directly in front of radiators, fires or any other source of heat.



Parts of the assembly will be easier with 2 people.

Assemble on a soft level surface to avoid damaging the unit or your floor.



We do not recommend the use of power drill/ drivers for inserting screws, as this could damage the unit. Only use hand screwdrivers.

Dispose of all packaging carefully and responsibly.

General care and maintenance

From time to time check that there are no loose screws on this unit.

This product should not be discarded with household waste. Take to your local authority waste disposal centre.

Care Instructions for Upholstered Items

Vacuum or brush your upholstery weekly as accumulated dirt will accelerate wear and dull colours.

Avoid exposing your furniture to direct and prolonged periods of sunlight and heat sources as fading may result.

Take extra care when handling sharp objects near the product that may damage the fabric

SPOTS AND SPILLS DO NOT RUB.

Carefully soak up any spillage by gently blotting with a clean, dry, absorbent cloth.

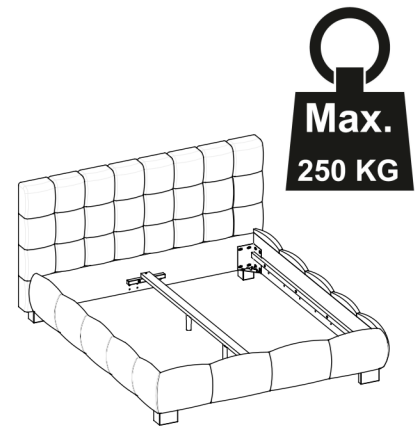
Do not use a wet cloth.

PROFESSIONAL CLEAN ONLY

Covers should be cleaned professionally by an upholstery cleaning specialist.

Maximum weight limit

Important: Recommended maximum load for bed is shown below.



Colour variation may occur between the cleaned and uncleaned sections.

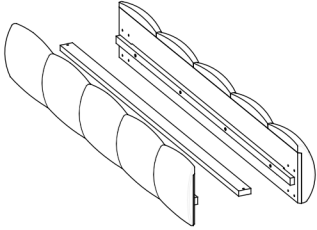
When cleaning, please ensure all components are cleaned at the same time to avoid colour variation.

Components - Panels

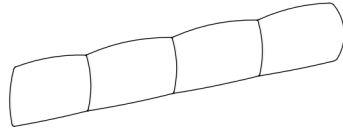
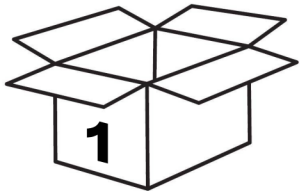
If you need help or have damaged or missing parts,
email: kontakt@bedrenaetter.dk or call: +45 78 75 00 77

Please check you have all the panels listed below

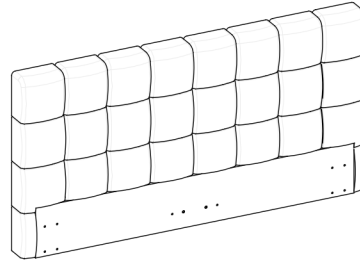
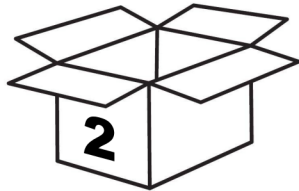
Mollis Bed Frame



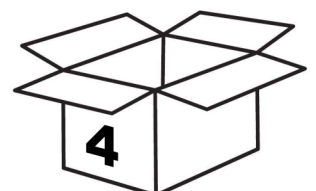
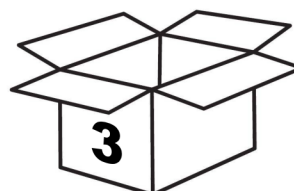
1. Side Rail x2 +
central beam x1



2. Footboard x1



3. Headboard x1

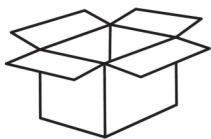


4. Fittings x1

Components - Fittings

If you need help or have damaged or missing parts,
email: kontakt@bedrenaetter.dk or call: +45 78 75 00 77

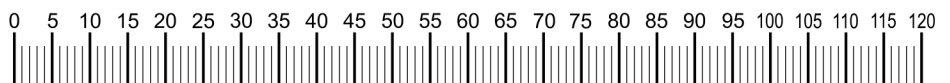
Please check you have all the fixings listed below

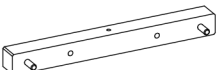
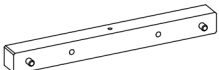

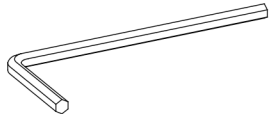
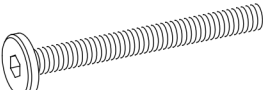
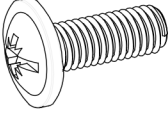
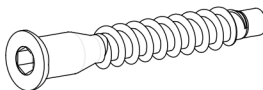
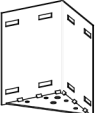
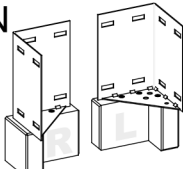
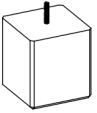


Fittings contained in pack 4

NOTE: The quantities below are the correct amount to complete the assembly. In some cases more fittings may be supplied than are required.

Ruler - To help correctly identify the fixings

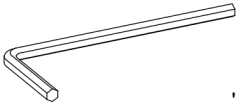


<p>PR-100-450 x1</p>  <p>300x30x30mm</p>	<p>PR-100-455 x1</p>  <p>300x30x30mm</p>	<p>SR1 x2</p> 	<p>KL4 x1</p>  <p>"4"</p>
<p>SWI5 x4</p>  <p>M6x50</p>	<p>SPK5 x32</p>  <p>M8x25</p>	<p>KN2 x2</p>  <p>7x50</p>	<p>BKK01 x2</p>  <p>125x125mm</p>
<p>BKK01-N L+R x2</p> 	<p>N-B01 x2</p>  <p>H=100mm</p>		

Assembly Instructions

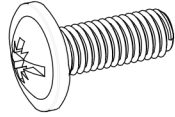
Step 1

KL4 x1



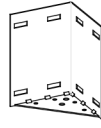
"4"

SPK5 x16



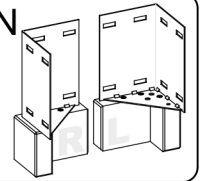
M8x25

BKK01 x2

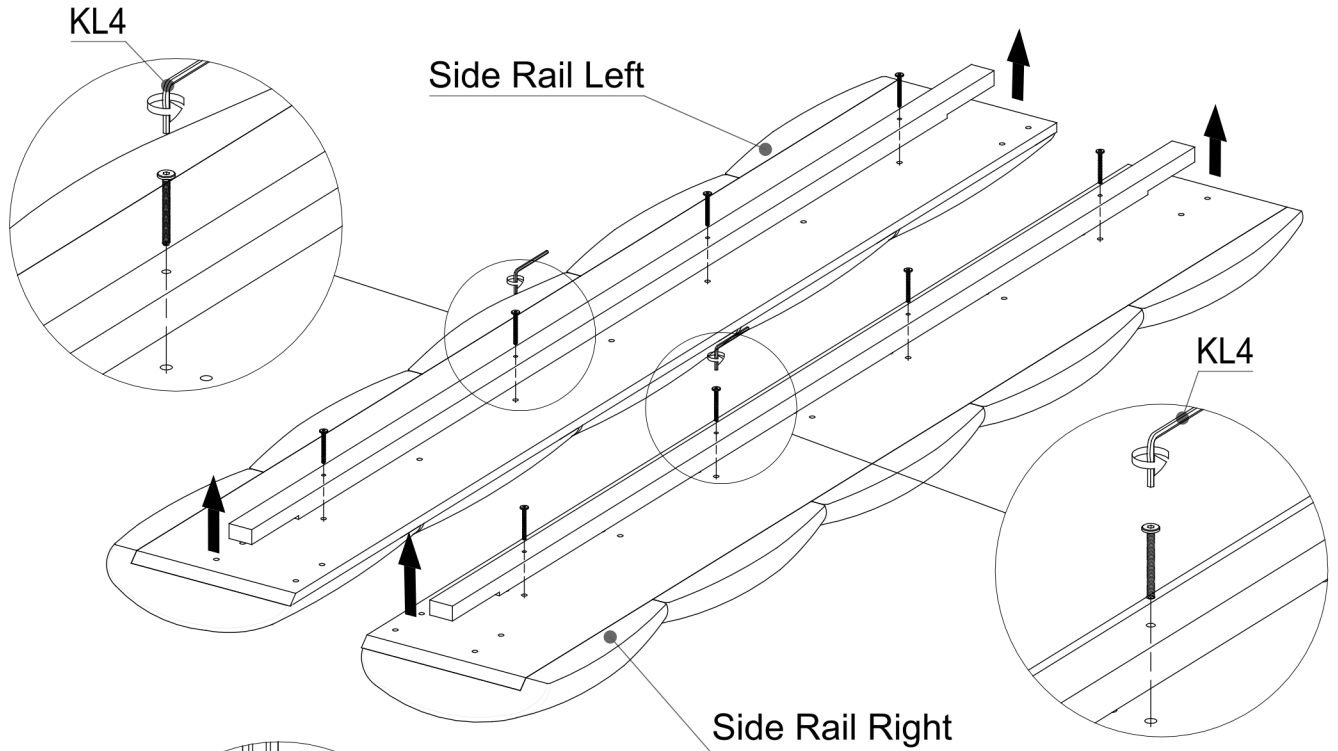


125x125mm

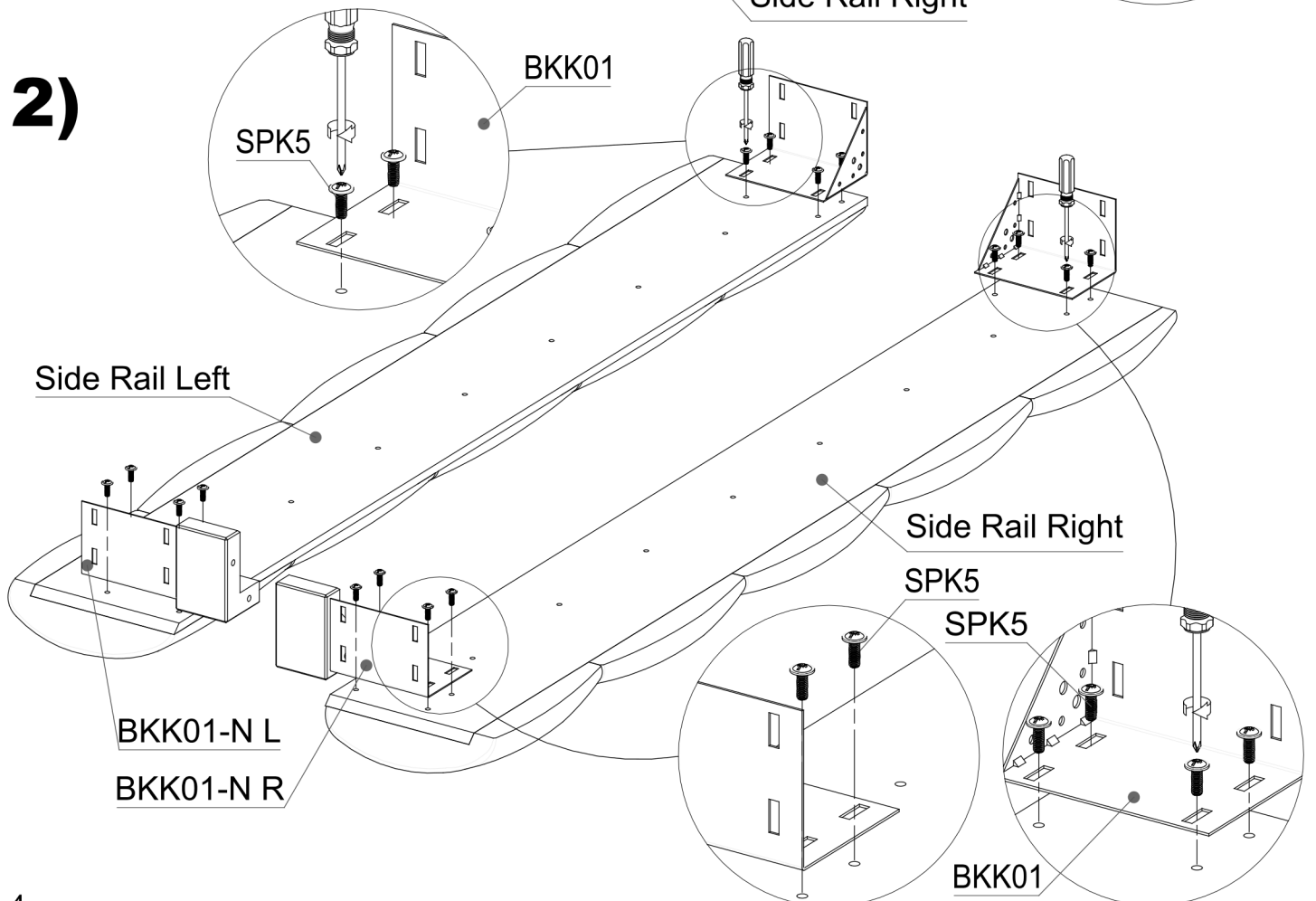
BKK01-N
L+R x2



1)



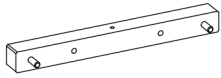
2)



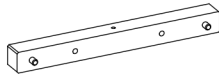
Assembly Instructions

Step 2

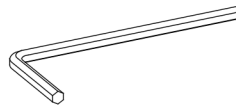
PR-100-450 x1



PR-100-455 x1

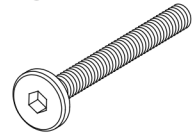


KL4 x1



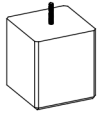
"4"

SWI5 x4



M6x50

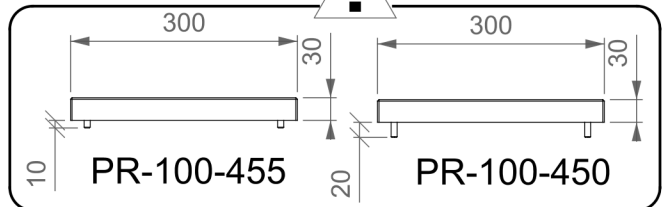
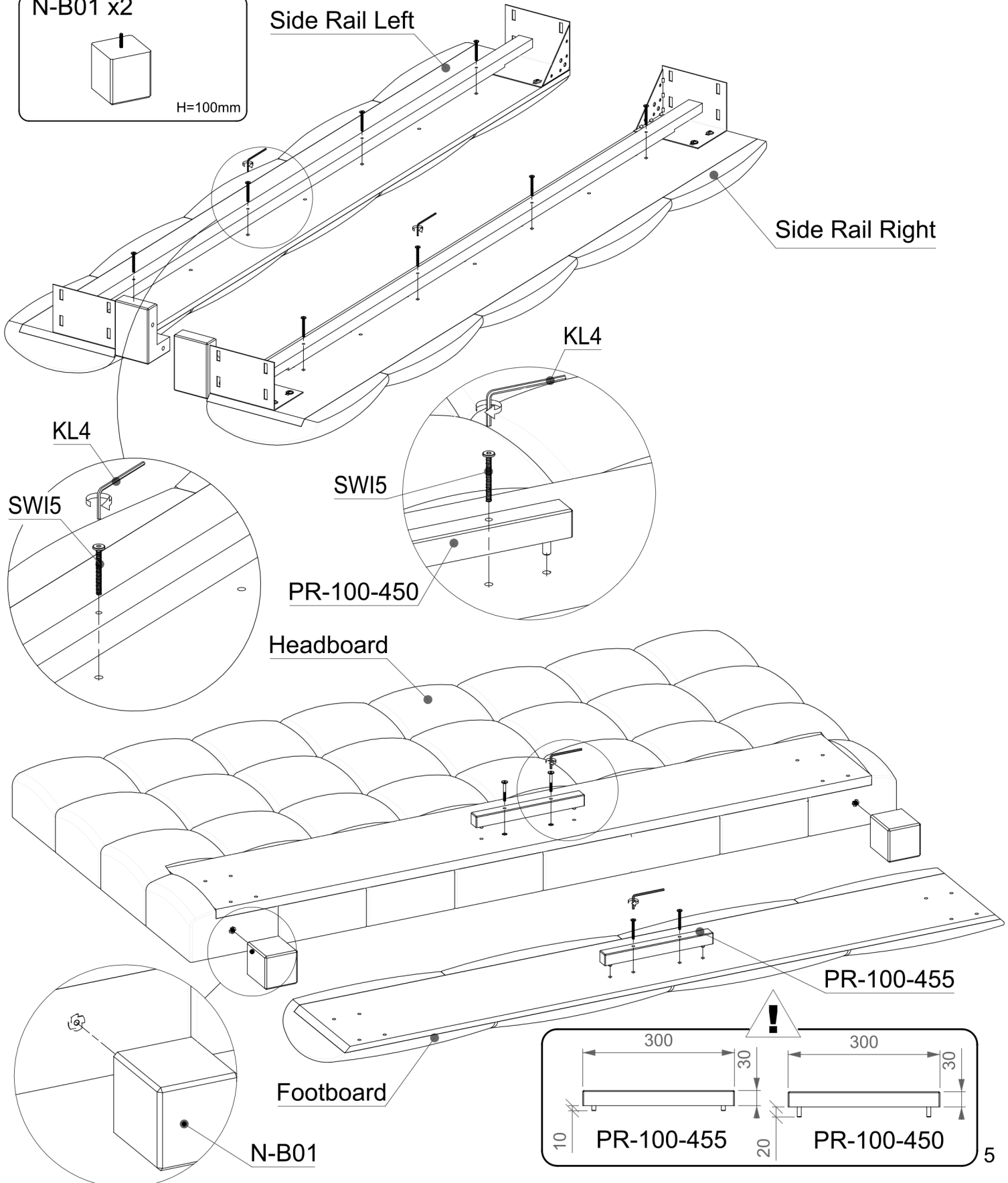
N-B01 x2



H=100mm

Side Rail Left

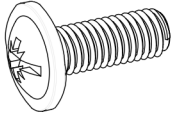
Side Rail Right



Assembly Instructions

Step 3

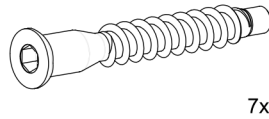
SPK5 x16



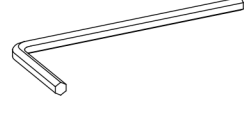
SR1 x2



KN2 x2

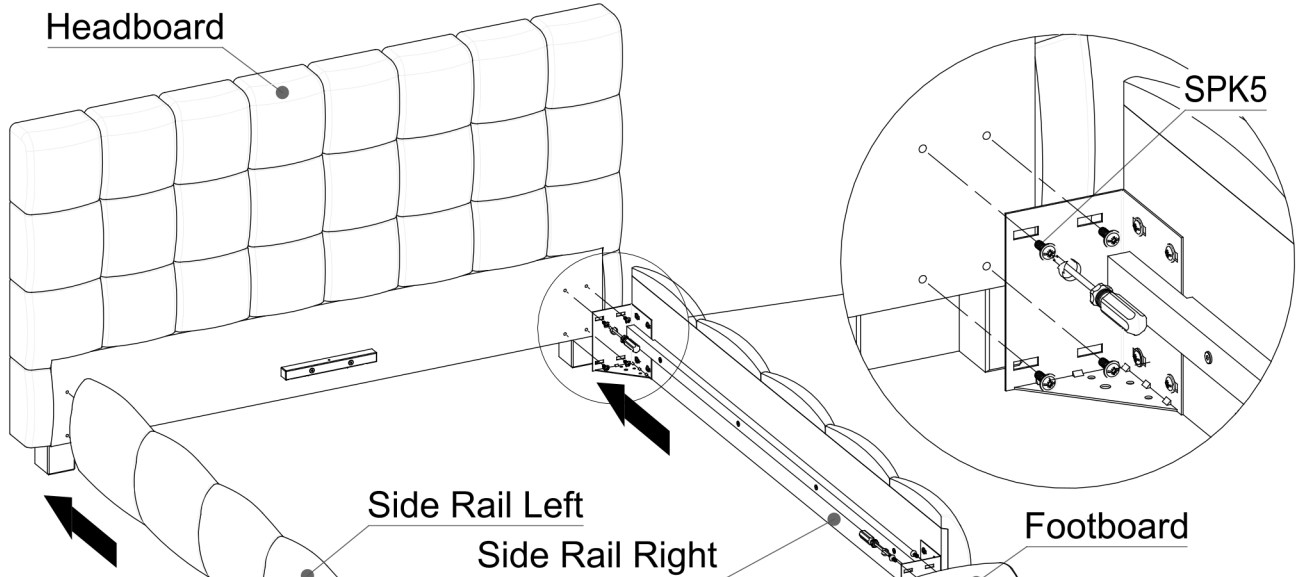


KL4 x1



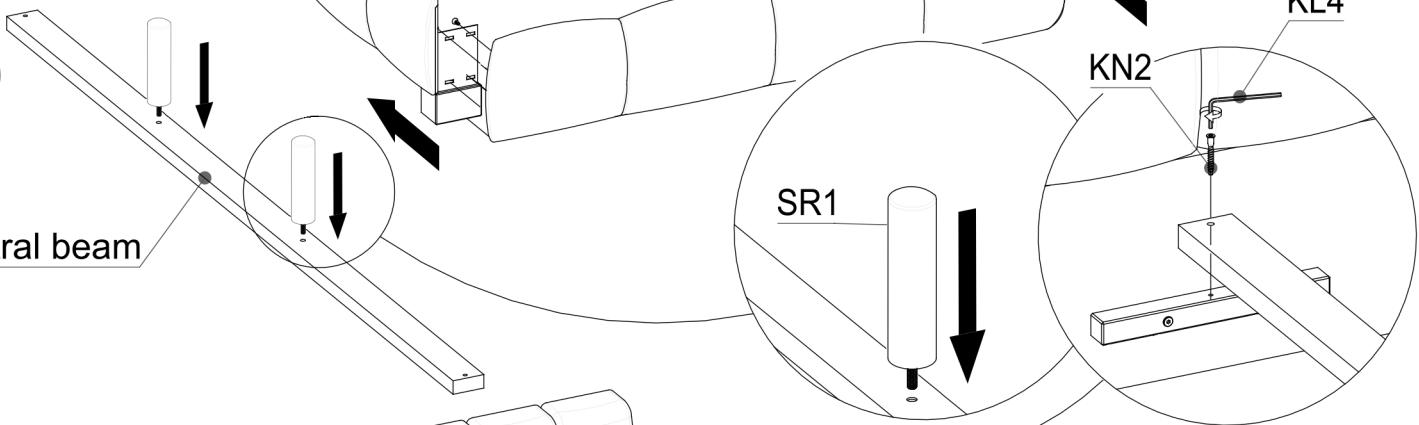
1)

Headboard



2)

central beam



3)

